

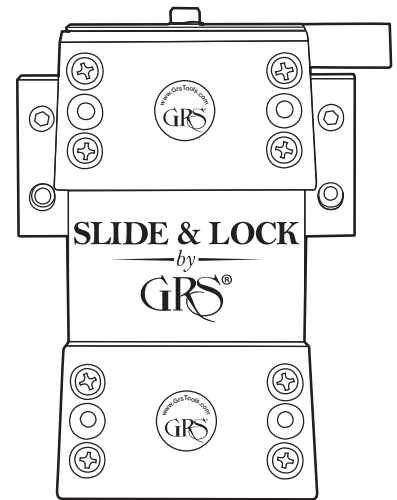
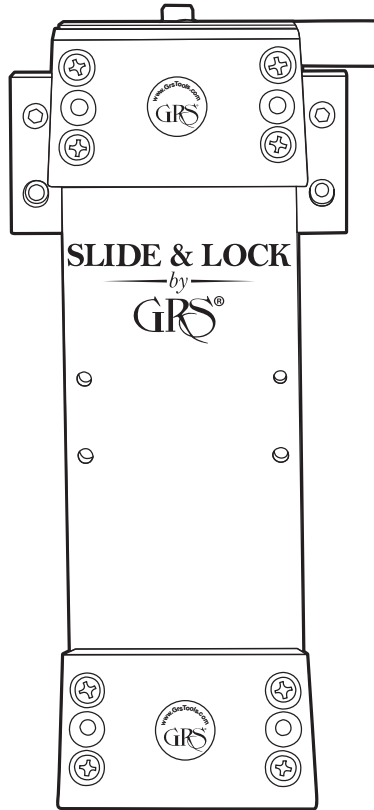
# GRS<sup>®</sup> Slide & Lock original & Mini

INSTRUCTIONS • #004-757 & 004-758

**ORIGINAL #004-757**

**MINI #004-758**

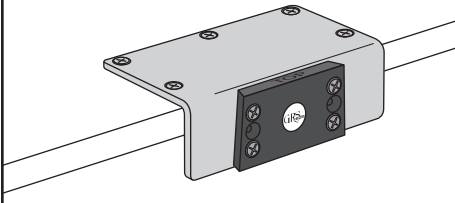
The Slide and Lock Original is used for illustration in these instructions, but the Slide and Lock Mini functions in the same way. The only differences between the two are the number of mounting plates they can accommodate and the travel distance of the slide.



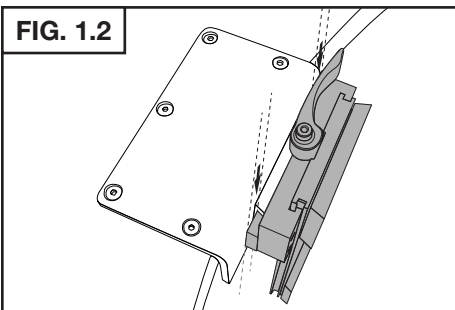
## 1. BENCH ATTACHMENT & TOOL ATTACHMENT

**FIG. 1.1**

Attach the Slide & Lock to the Fixed Mounting Plate #004-557

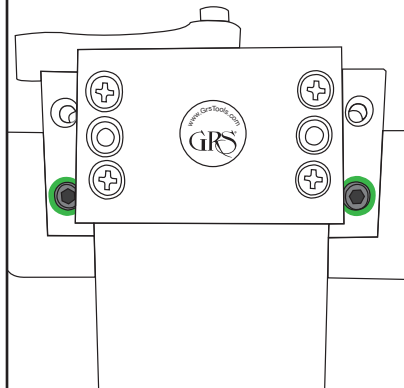


**FIG. 1.2**

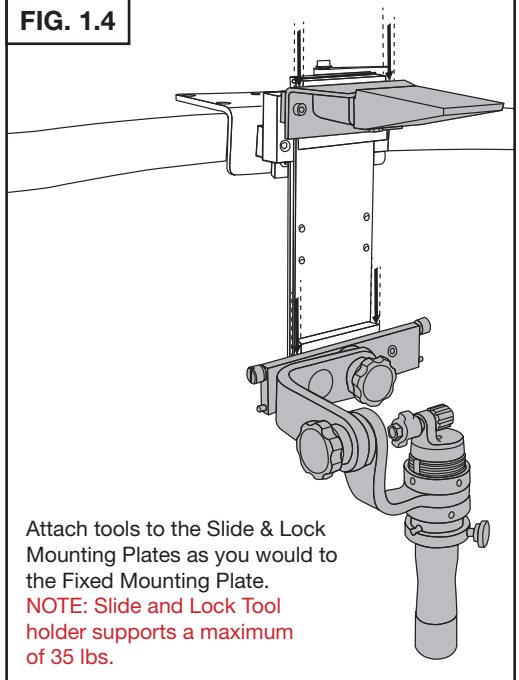


**FIG. 1.3**

Use the hex bolts to adjust the knuckles on the back of the bracket for a snug fit. The Slide & Lock Tool Holder should not wobble.

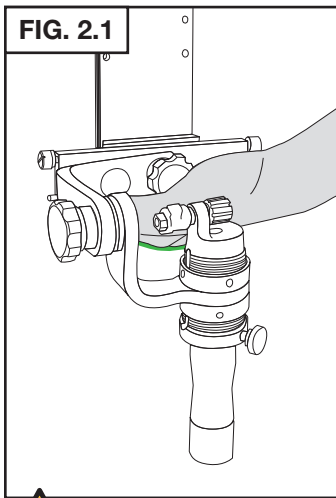


**FIG. 1.4**

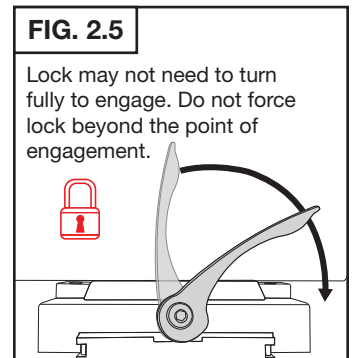
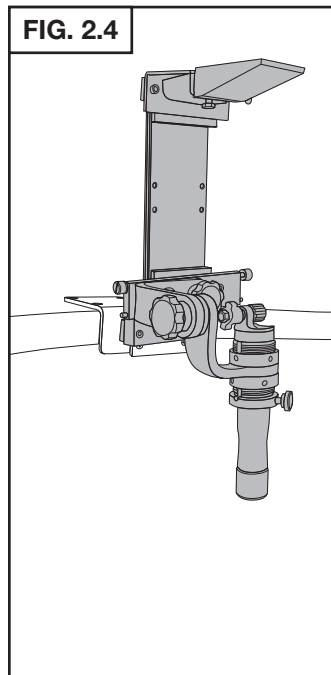
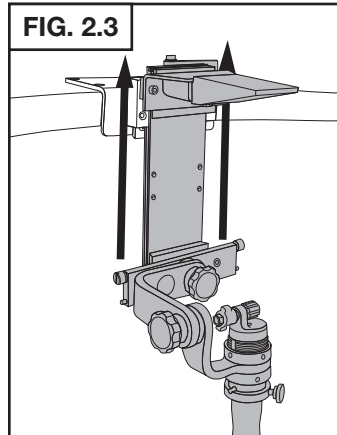
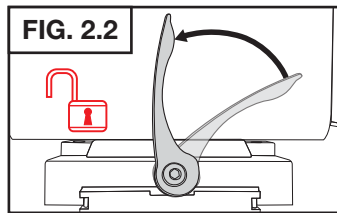


Attach tools to the Slide & Lock Mounting Plates as you would to the Fixed Mounting Plate.  
**NOTE: Slide and Lock Tool holder supports a maximum of 35 lbs.**

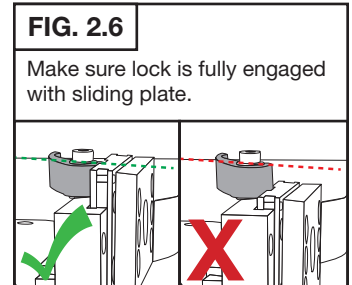
## 2. HEIGHT ADJUSTMENT



**CAUTION**  
Place one hand to support the bottom of the Slide & Lock Tool and the weight of all attached tools before unlocking for height adjustment.

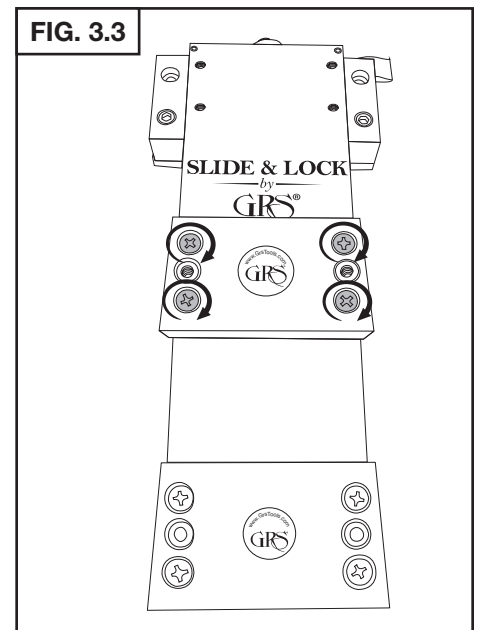
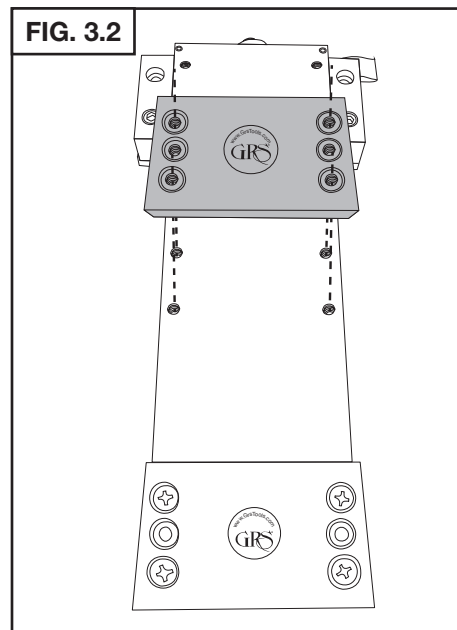
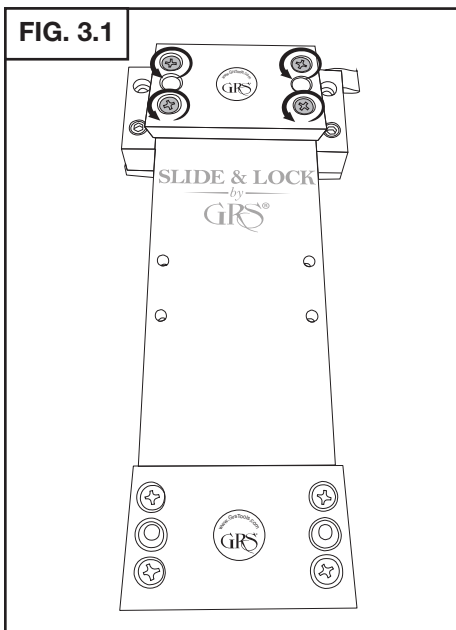


Lock may not need to turn fully to engage. Do not force lock beyond the point of engagement.

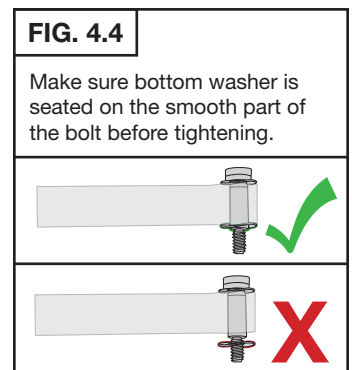
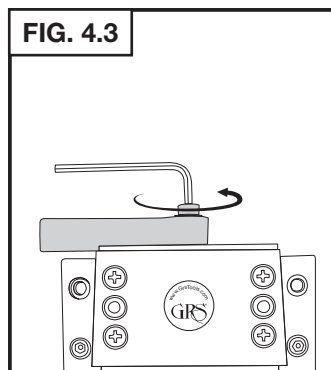
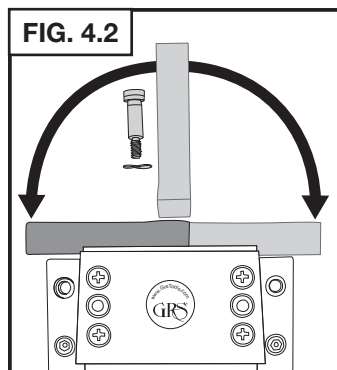
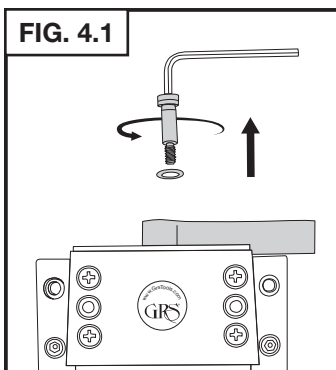


Make sure lock is fully engaged with sliding plate.

## 3. ADDING OR MOVING MOUNTING PLATES



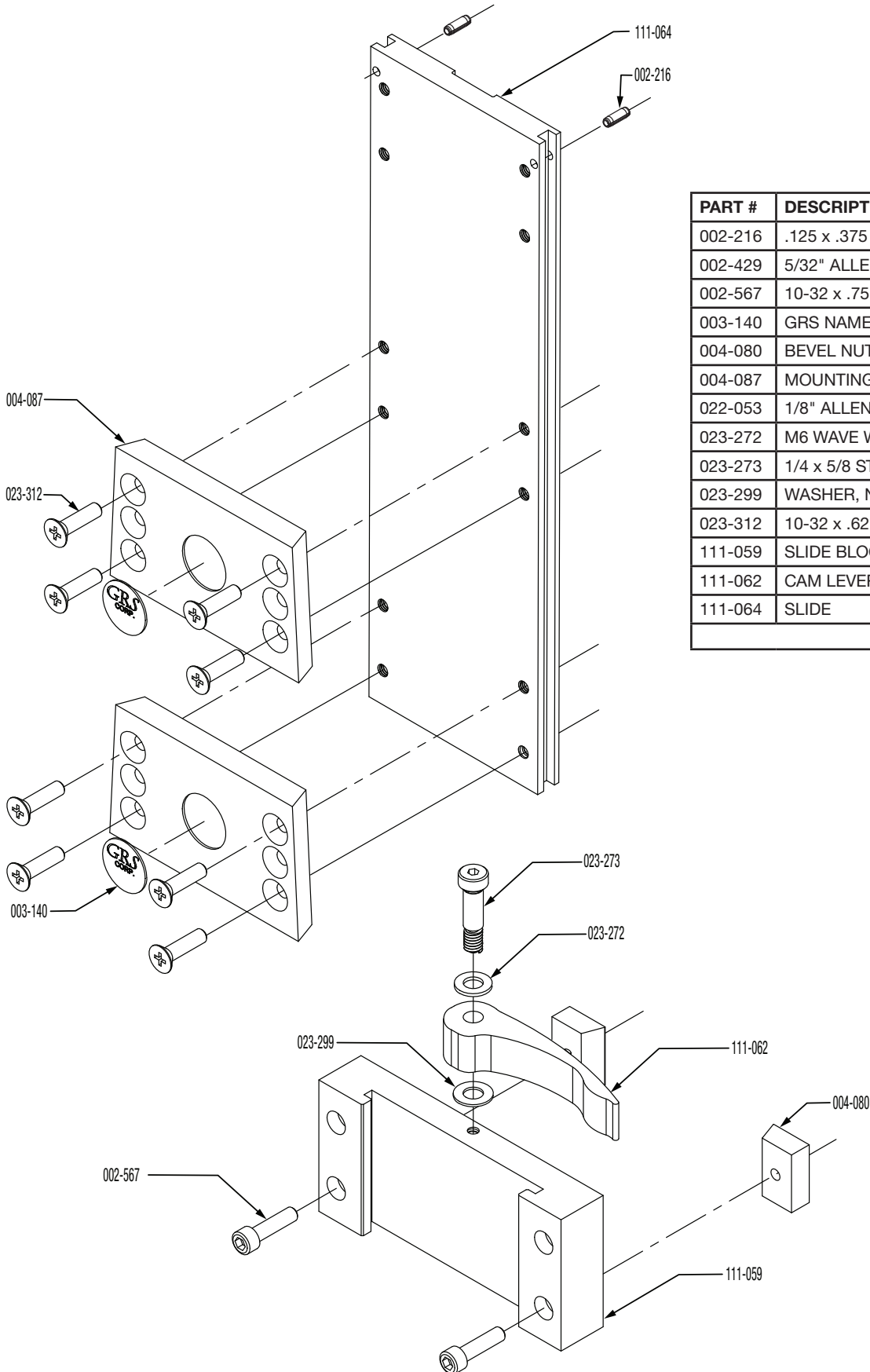
## 4. SWITCHING THE LOCK FOR LEFT-HANDED USE (OPTIONAL)



Make sure bottom washer is seated on the smooth part of the bolt before tightening.

# GRS® Slide & Lock original

PARTS LIST • #004-757

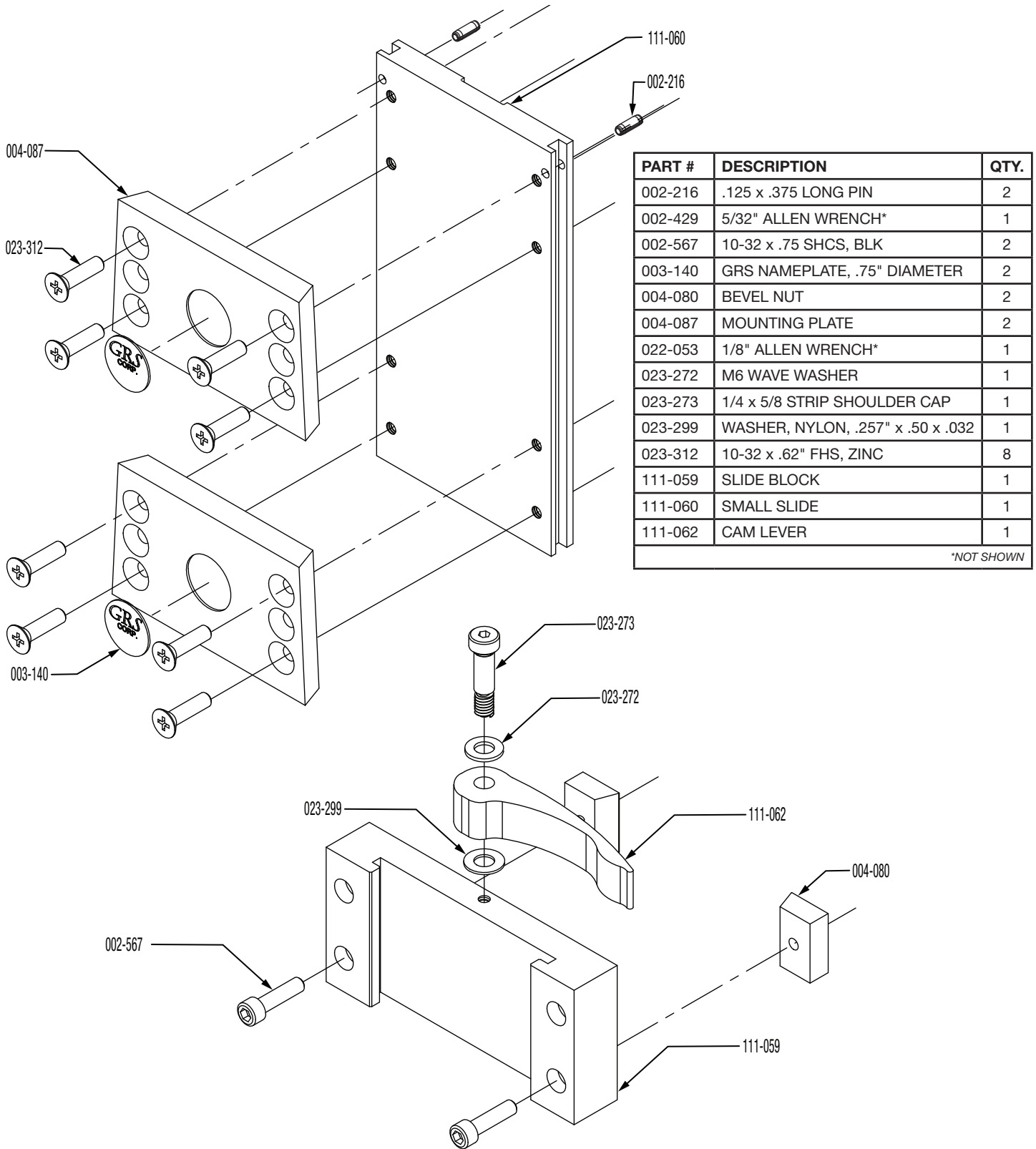


PART #	DESCRIPTION	QTY.
002-216	.125 x .375 LONG PIN	2
002-429	5/32" ALLEN WRENCH*	1
002-567	10-32 x .75 SHCS BLK	2
003-140	GRS NAMEPLATE, .75 DIAMETER	2
004-080	BEVEL NUT	2
004-087	MOUNTING PLATE	2
022-053	1/8" ALLEN WRENCH*	1
023-272	M6 WAVE WASHER	2
023-273	1/4 x 5/8 STRIP SHOULDER CAP	1
023-299	WASHER, NYLON, .257 x .50 x .032	1
023-312	10-32 x .62" FHS ZINC	8
111-059	SLIDE BLOCK	1
111-062	CAM LEVER	1
111-064	SLIDE	1

\*NOT SHOWN

# GRS<sup>®</sup> Slide & Lock Mini

PARTS LIST • #004-758



PART #	DESCRIPTION	QTY.
002-216	.125 x .375 LONG PIN	2
002-429	5/32" ALLEN WRENCH*	1
002-567	10-32 x .75 SHCS, BLK	2
003-140	GRS NAMEPLATE, .75" DIAMETER	2
004-080	BEVEL NUT	2
004-087	MOUNTING PLATE	2
022-053	1/8" ALLEN WRENCH*	1
023-272	M6 WAVE WASHER	1
023-273	1/4 x 5/8 STRIP SHOULDER CAP	1
023-299	WASHER, NYLON, .257" x .50 x .032	1
023-312	10-32 x .62" FHS, ZINC	8
111-059	SLIDE BLOCK	1
111-060	SMALL SLIDE	1
111-062	CAM LEVER	1

\*NOT SHOWN