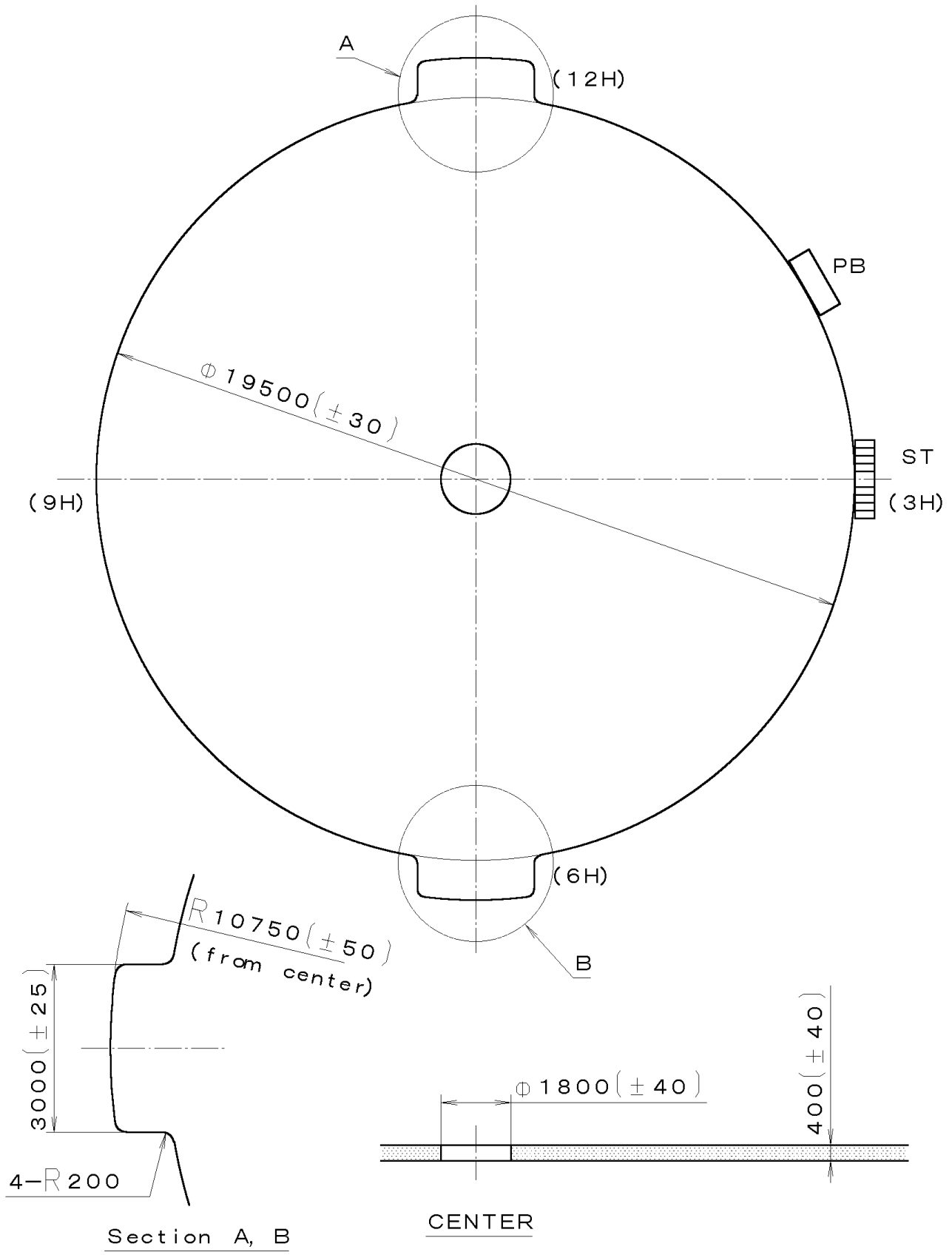


Material	Quantity	Unit	Cal. No. : OU30
Heat Treatment	Scale	1/1000 mm	Parts:
Hardness	Date	8:1	Drawn
Plating	Checked	T. Hiruta	Checked
	Approved		Name: Frame for Case
			Drawing No. : OU30C0000
General Tolerances			
Dimensions			
Angles			

CITIZEN WATCH CO., LTD.
 TOKYO, JAPAN

This drawing is provisional and subject to our reconfirmation and/or revision without notice.

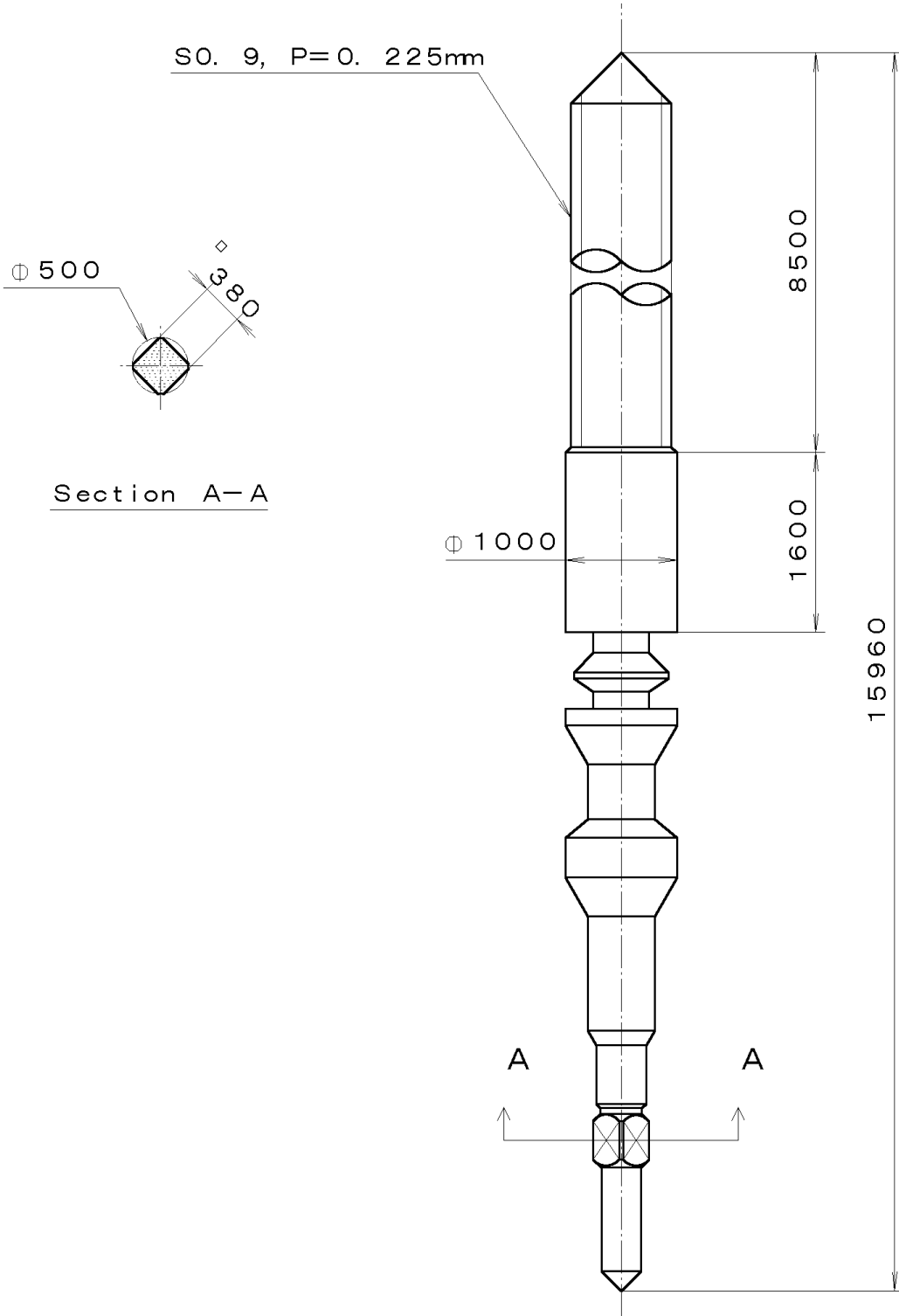
00-09-18
(2100 1121 C-01)
OU30-00A (01) ***
*** T I P W



7		Quantity		Cal. No. :	OU30-00A
6		Unit	1/1000 mm	Parts:	
5		Scale	7:1	Name:	Indications for Dial
4		Date		Drawing No. :	OU30D000
3		Drawn			
2		Checked	T. Hiruta		
1		Approved			
Material					
Heat Treatment		General Tolerances		CITIZEN WATCH CO.,LTD. TOKYO, JAPAN	
Hardness		Dimensions			
Plating		Angles			

This drawing is provisional and subject to our reconfirmation and/or revision without notice.

*** T I P W (01) *** (2100 1121) 00-09-18 065-466



7			Quantity		Cal. No. :
6			Unit	1/1000 mm	Parts:
5			Scale	17:1	
4			Date		065-466
3			Drawn		
2			Checked	T. Hiruta	Name:
1			Approved		SETTING STEM
Material					Drawing No. : 4660S000
Heat Treatment			General Tolerances		CITIZEN WATCH CO.,LTD. TOKYO, JAPAN
Hardness			Dimensions		
Plating			Angles		