

**JURA**  
BY GRS®



**QC BASIC SET**  
INCLUDING MICROBLOCK®

# 500 - 508 • INSTRUCTIONS

Includes: MicroBlock® w/ Jura Master Jaws, Small Vise Base, Jura Must Have 5 mm Hex Key, Organizer, Horizontal Inside Ring Holder, Vertical Inside Ring Holder, 10 Plastic Collets, Flat Clamps with Groove

# MASTER JAWS

## INSTRUCTIONS

Instructions apply to the following product(s):



500-018

**IMPORTANT NOTE:**  
The MicroBlock® and MicroBlock® XL Jura by GRS sets include a pair of Master Jaws instead of the original jaws with pin holes.

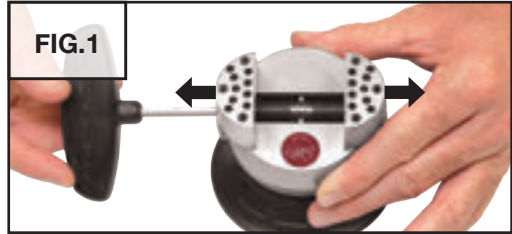
Skip to **Installation of Master Jaws** unless you need to remove original MicroBlock jaws from a previously purchased vise.

**Products that include Master Jaws instead of original MicroBlock jaws:**  
#500-508, #500-510, #500-517, #500-526, #500-527

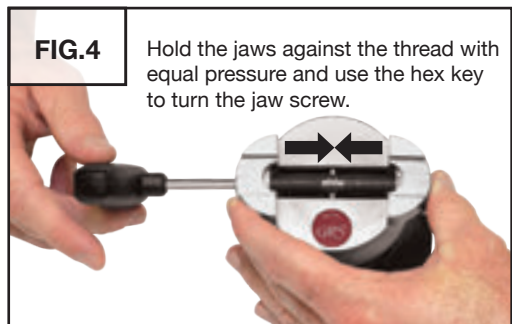
✓ Included with this set.  
◆ Not included with this set. Available separately.

### Removal of Original MicroBlock® Jaws

Skip to **Installation of Master Jaws** unless you need to remove original MicroBlock jaws from a previously purchased vise.



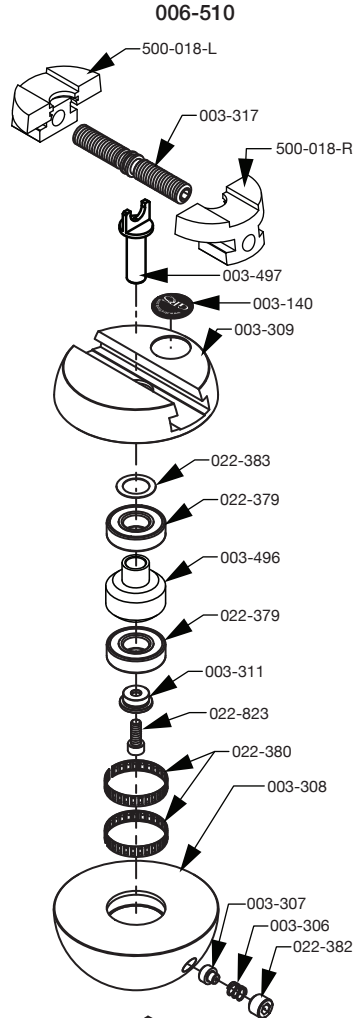
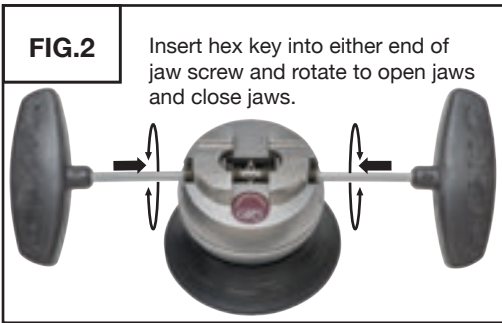
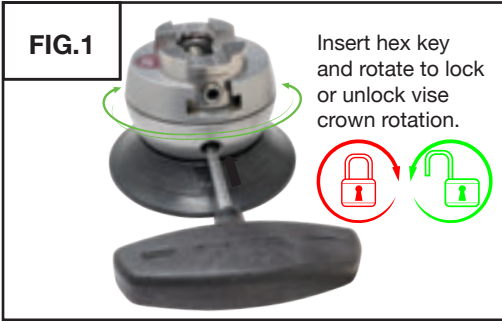
### Installation of Master Jaws



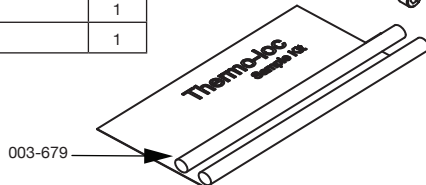
Microblock® shown with Jura Master Jaws #500-018  
 (See instructions for installation on pg 2).

# MICROBLOCK® W/ MASTER JAWS

## INSTRUCTIONS AND PARTS LIST



PART #	DESCRIPTION	QTY
002-067	10-32 x 1/2" SHCS	1
003-140	GRS Label	1
003-306	Drag Spring	1
003-307	Lock Pin	1
003-308	Stainless Steel 80 mm Base	1
003-309	Crown	1
003-311	Bearing Retainer	1
003-496	Bearing Spacer Brake Rotor	1
003-497	Jaw Screw Yoke	1
003-317	Jaw Screw	1
003-679	Thermo-Loc Sample Kit	1
022-379	Shielded Bearing	2
022-380	Tolerance Ring	2
022-382	Flat Nose Set Screw	1
022-383	.015" x .513" x .750" SS Washer	1



# SEATED QC FIXTURES

## INSTRUCTIONS

Instructions apply to the following product(s):



500-001



500-002



500-003



500-004



500-005



500-006



500-007



500-009



500-010



500-013



502-078

### Fixture Attachment



BOTTOM



SIDE



ANGLE

### Master Jaw Seat



### Fixture Installation



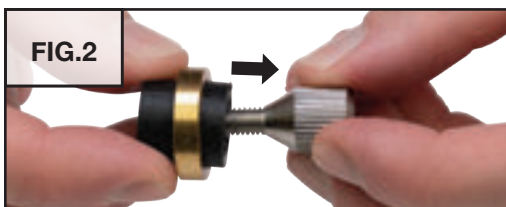
✓ Included with this set.

◆ Not included with this set. Available separately.



# INSIDE RING HOLDER SCREW SET

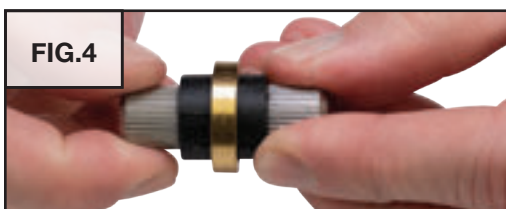
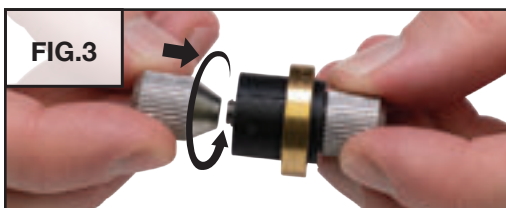
## INSTRUCTIONS



Instructions apply to the following product(s):



500-011



# ROUND-BASE QC FIXTURES

## INSTRUCTIONS

Instructions apply to the following product(s):



500-501



502-501

### Fixture Attachment



BOTTOM

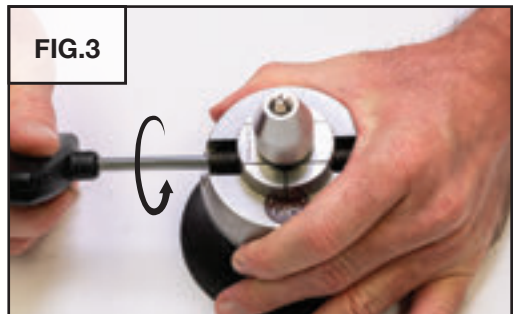
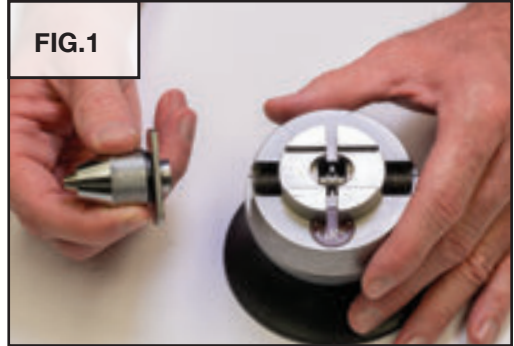


SIDE



ANGLE

### Fixture Installation

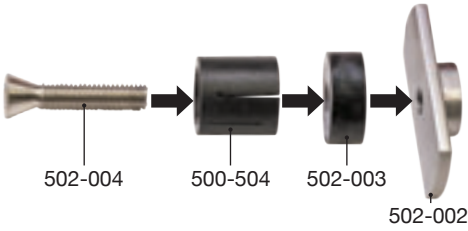


✓ Included with this set.

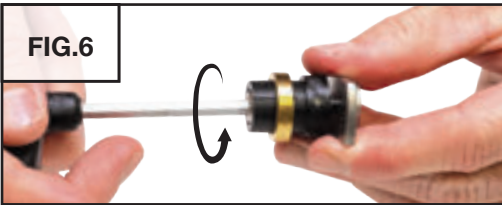
◆ Not included with this set. Available separately.

# VERTICAL RING HOLDER

## INSTRUCTIONS



Instructions apply to the following product(s):



# ORGANIZERS WITH TAPE ATTACHMENT

## INSTRUCTIONS

Instructions apply to the following product(s):



500-523



500-524



502-034



502-045



523-011



523-012



523-013



523-029



523-030



FIG.1

Clean organizer back and bench surface with isopropyl alcohol according to manufacturer's instructions.



FIG.2



FIG.3



FIG.4



FIG.5



FIG.6

Place organizer where desired and press firmly for 60 seconds.

✓ Included with this set.

◆ Not included with this set. Available separately.