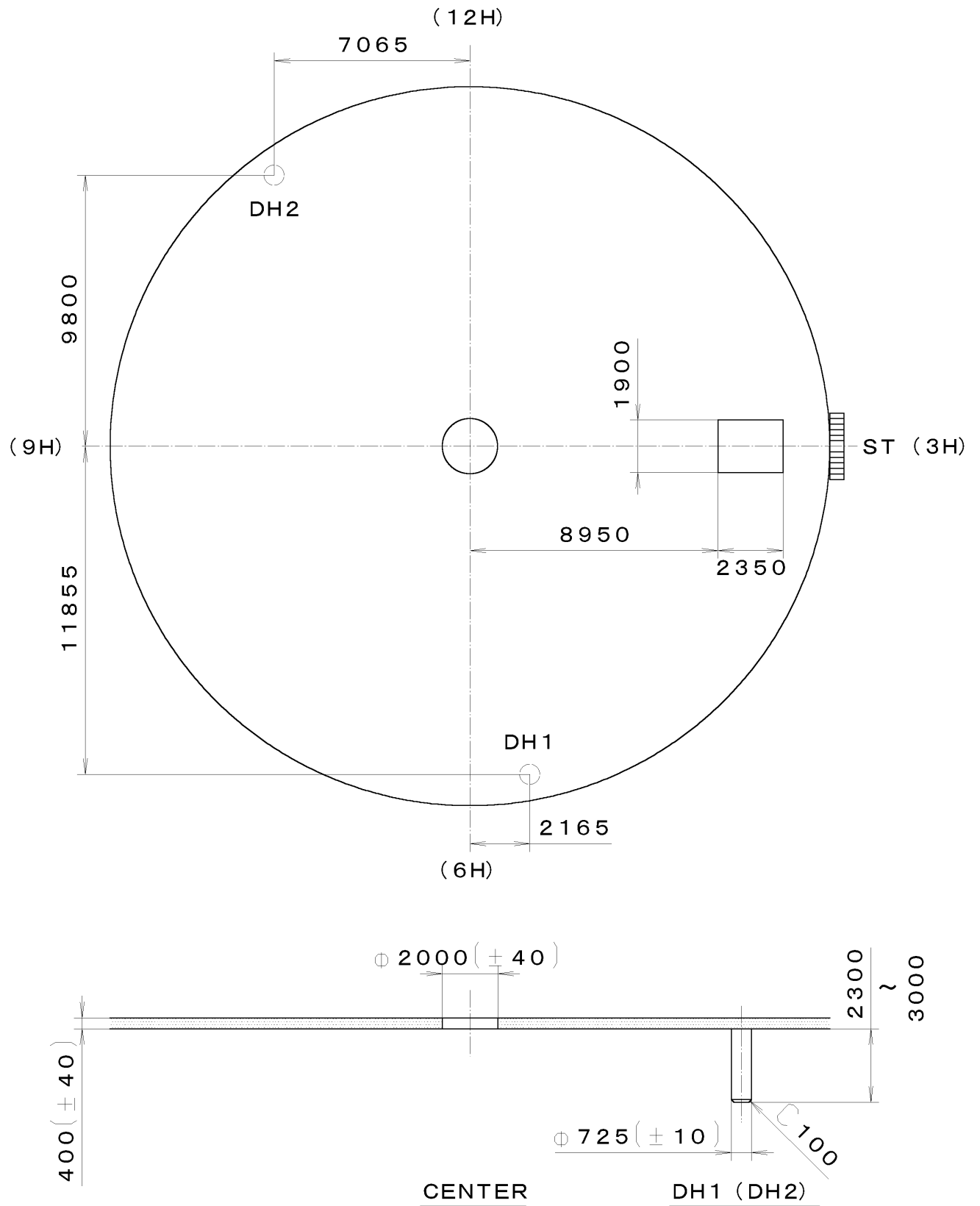


This drawing is provisional and subject to our reconfirmation and/or revision without notice.

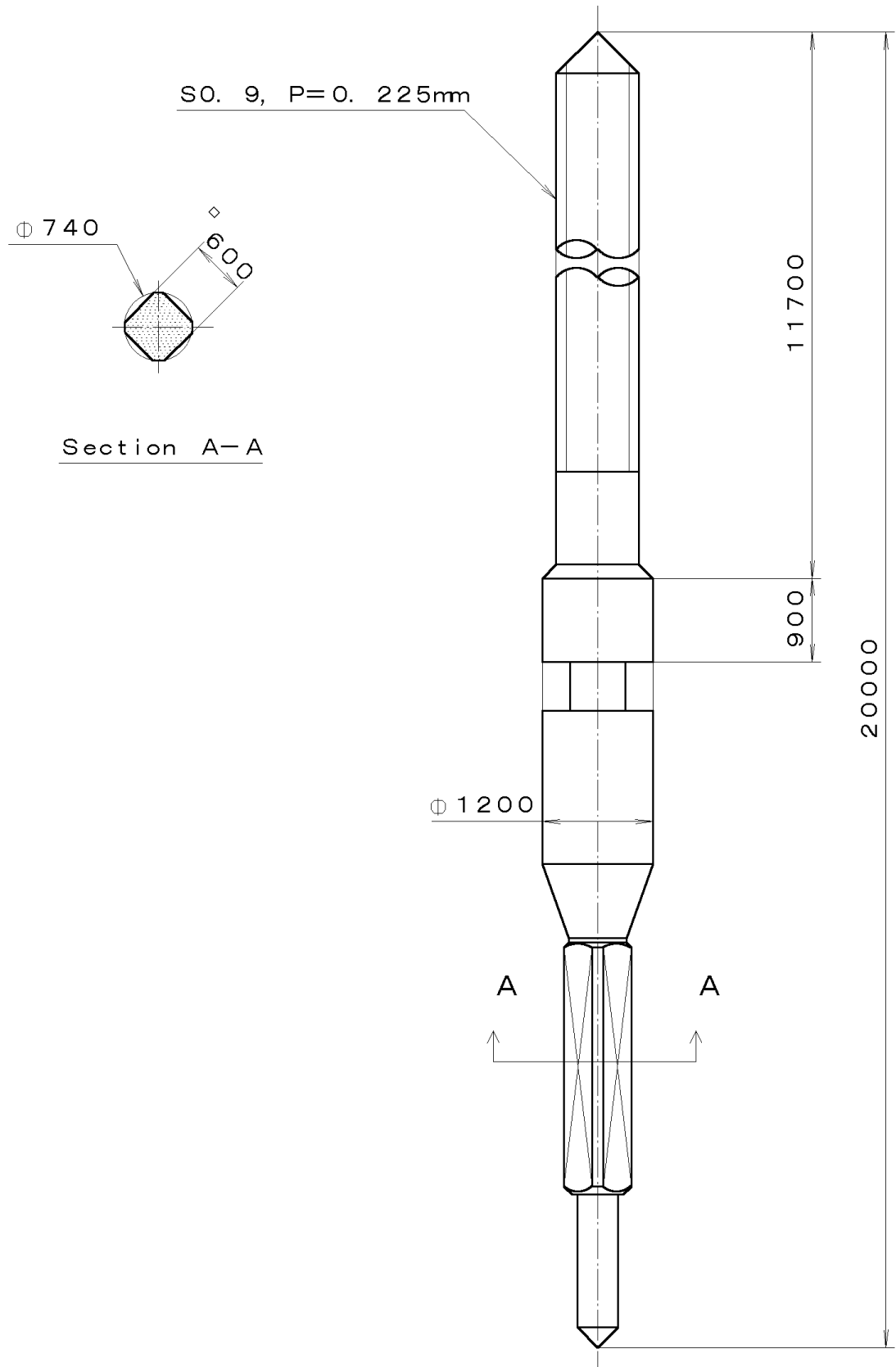
*** T I P W 8215-21A (01) *** (2100 1121) 02-03-11



△7			Quantity		Cal. No. : 8215-21A
△6			Unit	1/1000 mm	
△5			Scale	5:1	Parts:
△4			Date		
△3			Drawn		
△2			Checked	T. Hiruta	Name: Indications for Dial
△1			Approved		Drawing No. : 8215D001
Material			General Tolerances		CITIZEN WATCH CO., LTD. TOKYO, JAPAN
Heat Treatment			Dimensions		
Hardness			Angles		
Plating					

This drawing is provisional and subject to our reconfirmation and/or revision without notice.

065-212 (2100 1121) 00-09-18 *** T I P W



7			Quantity		Cal. No. :
6			Unit	1/1000 mm	
5			Scale	15:1	Parts:
4			Date		065-212
3			Drawn		
2			Checked	T. Hiruta	Name:
1			Approved		SETTING STEM
Material					Drawing No. : 2120S000
Heat Treatment			General Tolerances		CITIZEN WATCH CO.,LTD. TOKYO, JAPAN
Hardness			Dimensions		
Plating			Angles		